

Collaboration between Mexico and JINR:

# Scientific Opportunities and more

Alfredo Raya (IFM-UMSNH)

A. Ayala, I Domínguez, M.E. Tejeda-Yeomans



# Table of contents

**01**

**JINR**

General Overview

**02**

**JINR and MX**

Collaborative Efforts

**03**

**Programs**

JINR and MX beyond  
agreements with  
CONAHCYT

01



# JINR

General Considerations



# JINR Background

1949 – the Council of Europe is founded

1951 – the European Coal and Steel community is founded

1954, 29 September – the European Organization for Nuclear Research (CERN) is founded

1955, August – International Conference on the Peaceful Uses of Atomic Energy in Geneva.

1954 – the principle of peaceful coexistence

1956, 26 March – JINR is founded

Armenia

Azerbaijan

Belarus

Bulgaria

Cuba

Egypt

Georgia

Kazakhstan

DPRK (suspended 2015)

Moldova

Mongolia

Romania

Russian Federation

Slovakia

Uzbekistan

Vietnam

Germany

Hungary

Italy

Serbia

South Africa

Mexico

China

# Laboratories at JINR



Bogolyubov Laboratory  
of Theoretical Physics



Dzheleпов Laboratory  
of Nuclear Problems



Flerov Laboratory of  
Nuclear Reactions

# Laboratories at JINR



Frank Laboratory of  
Nuclear Physics



Laboratory of  
Radiation Biology



Mashcheryakov Laboratory of  
Information Technologies



Veksler and Baldin Laboratory  
of High Energy Physics

# Research Infrastructure



Cyclotron DC-280  
Superheavy Elements Factory



Baikal Neutrino  
Telescope in Irkutsk



Supercomputer  
Govorun

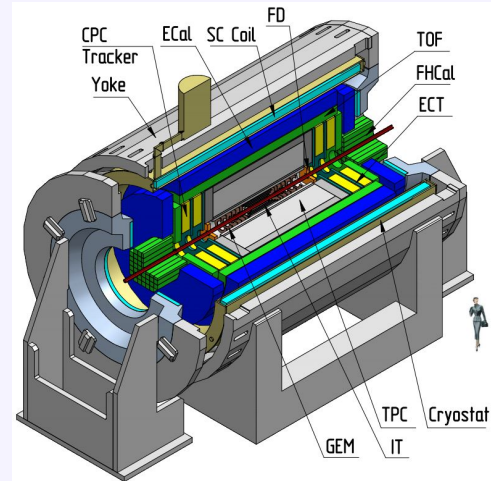


IBR-2 Pulsed  
Research Reactor

# NICA



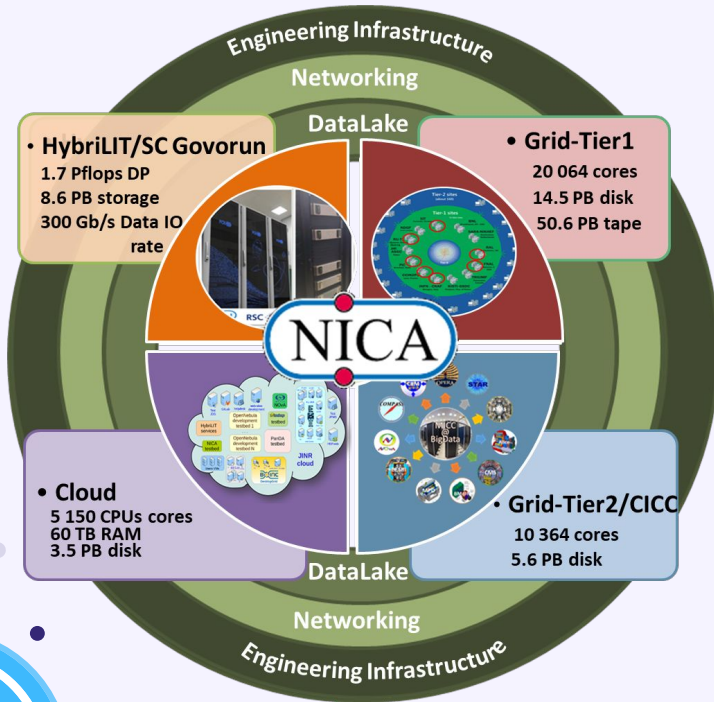
Nica project and the Mex-NICA participation



MPD Collaboration



# MICC Project



multi-functionality,  
high performance,  
task-adapted data storage system,  
high reliability and availability,  
information security,  
scalability,  
customized software environment for different user groups,  
high-performance telecommunications and modern local  
network.

Multifunctional Information and Computing Complex at JINR

# JINR and Mexico

## Joint Declaration of Intent

January-February 2023

## Joint Coordination Committee

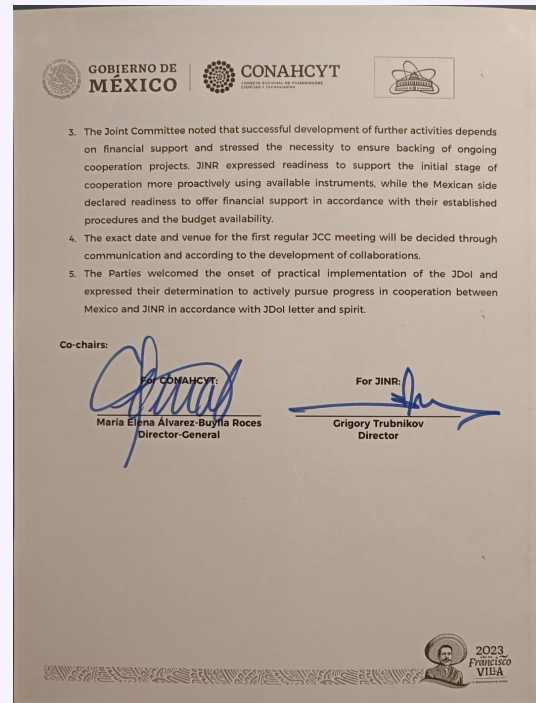
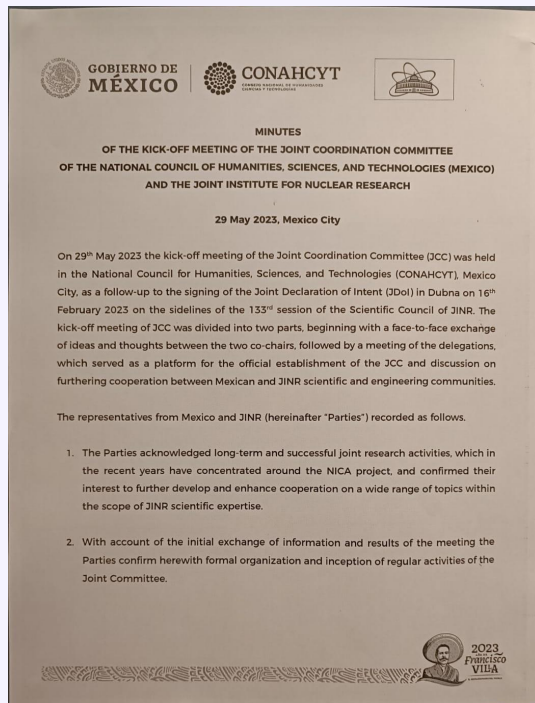
Kick-off meeting May  
2023

## Specific Agreements

Likely, Autumn 2023

# Joint Coordination Committee

Dra. Ana Maria Cetto, IF-UNAM  
Dr. Alfredo Raya, IFM-UMSNH  
Dra. Blanca Eli Ocampo García, ININ  
Dra. Yolanda Villaseñor Navarro, INC  
Dr. Julio Mendoza (SMF), CINVESTAV  
Dr. Efraín Chávez, IF-UNAM  
Dr. Andres Triana, CONAHCyT



# JINR and Mexico Beyond CONAHCyT

## Mex-NICA collaboration

Start 2016  
Students since 2017

## University Center

Continuously supporting  
participation of Mexican Students  
5 Students selected in 2023

## JINR UC Programmes

From early career and  
consolidated researchers  
involvement

# International Student Practice (ISP)

3 weeks at JINR

Lectures and visits

Projects and reports

# STudent Advanced Research Training (START)

6-8 weeks at JINR,  
Summer and Winter

Advanced Projects

Bachelor, Masters and  
PhD students

# INTernational REmote Student Training (INTEREST)

4-6 weeks Online

Runs in waves

Bachelor, Masters, PhD  
and Postdocs

# Supporting Talented Researchers

Postdoc Fellowships  
PhD  
Under 40

Research Scholarship  
Program  
Scientist and Engineers  
Under 60





# Thanks!

[alfredo.raya@umich.mx](mailto:alfredo.raya@umich.mx)